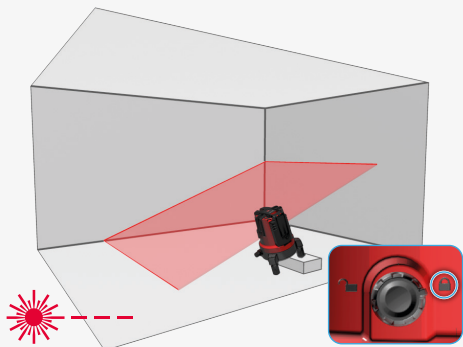
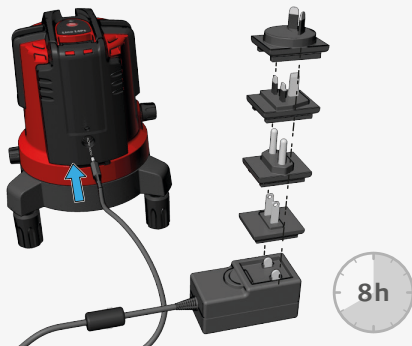


Levelling Lock



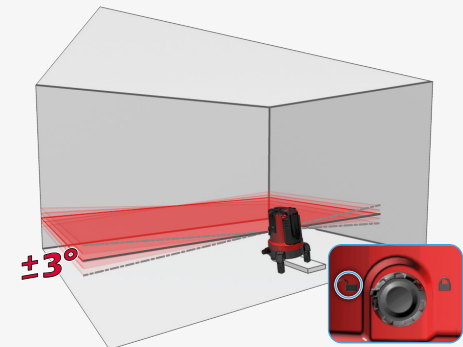
Li-Ion battery



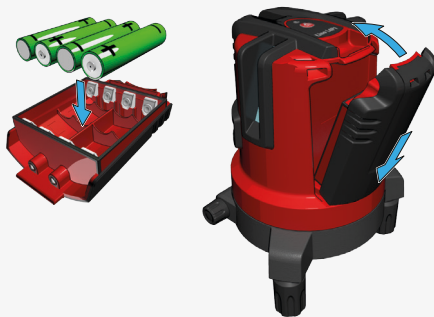
Quick Start Leica Lino L4P1



Selflevelling

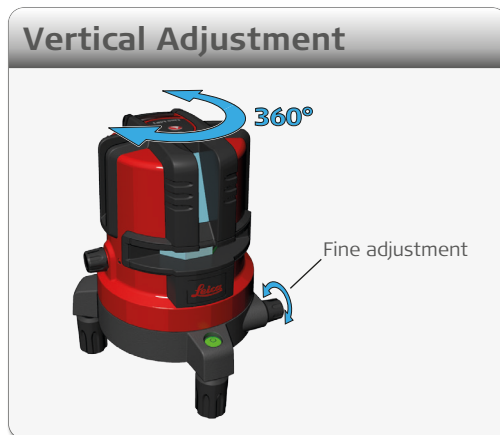
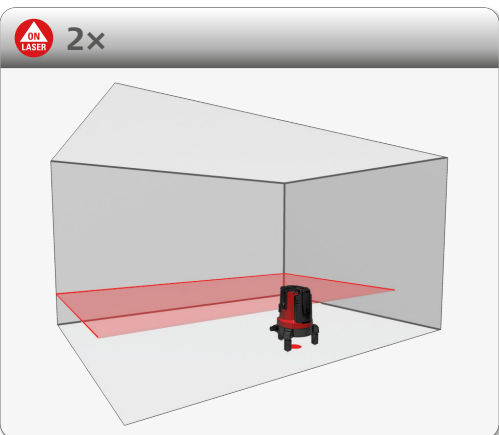
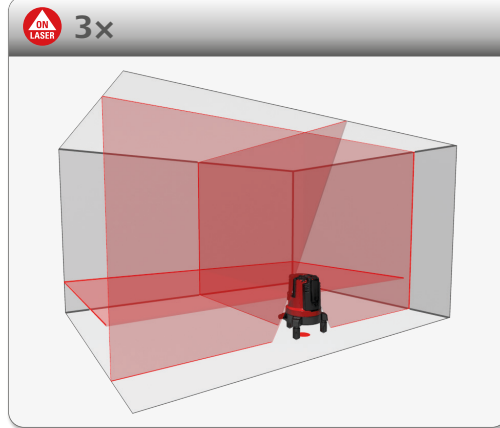
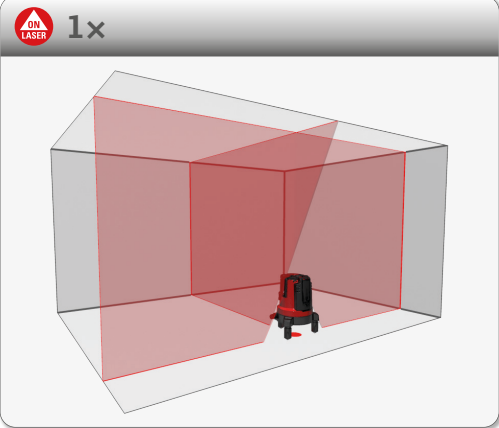


Alkaline batteries



- when it has to be right

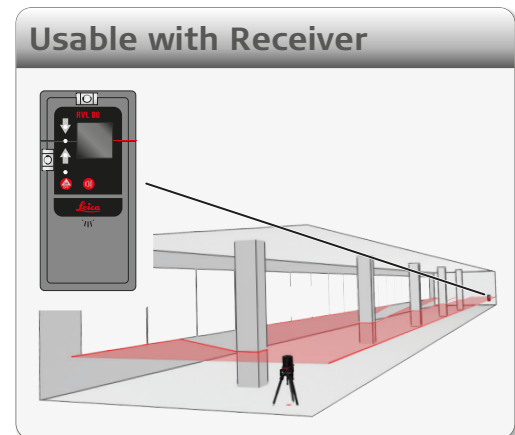
Leica
Geosystems



SAP. No. 834832

IEC 60825-1:2014 $\lambda=620-690\text{nm}$ $P_{\text{max}} < 1\text{mW}$ $t_p = 35-65\mu\text{s}$, cw

www.leica-geosystems.com



3 sec = OFF